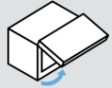


GL-200P Low Profile Lid Stay

Upward opening · Top opening

Opening Direction	Description	Non-handed	Qty	Compression Load
 Upward-opening※	Holds When Fully Opened	Yes	1 Units Per Door	147 N/pc (15 kgf/pc)

※Can also be used for top-opening lid, depending on installation conditions.
Please confirm with actual item in detail.

Features

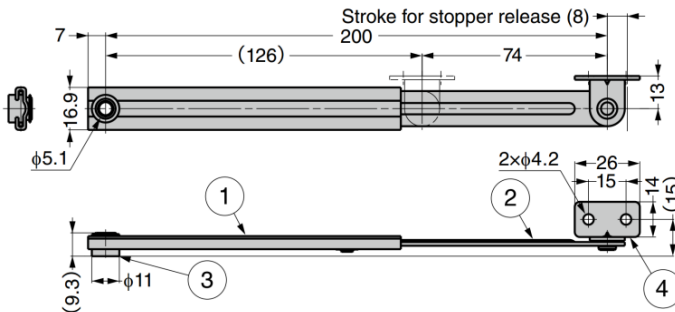
- Holds the lid in fully opened position
- Slightly lift up the lid to release stopper
- Can be installed in a small space due to compact design
- Used for opening and closing of device or door

Notes

- Do not use this product as a stopper
- Allow room for stroke when installing
- Securely fix the mounting screws with screw adhesive
- Use 1 pc for 1 door
- Opening angle and installation position change depending on the position of hinge centre
- Determine the installation position based on the hinges used and cabinet shape

Sold Separately

- Mounting bracket **GL-200P-BT**

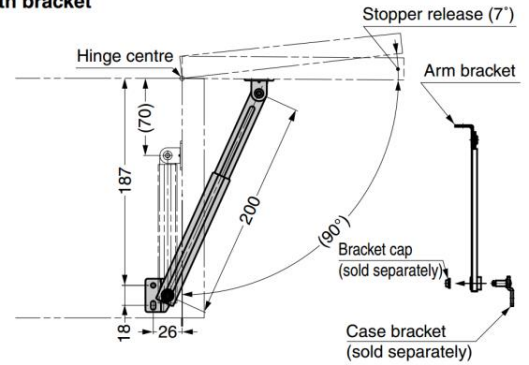


No.	Part Name	Material	Finish
①	Body	Stainless Steel	Barrel
②	Arm	(SUS304)	Polished
③	Case Bracket	Stainless Steel (SUS304)	-
④	Arm Bracket (Plate)	Stainless Steel (SUS304)	Barrel Polished

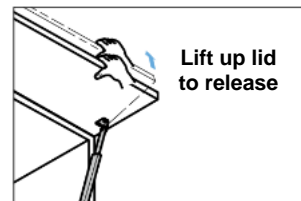
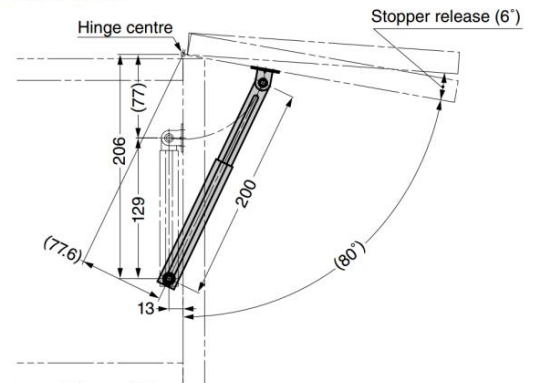
Part No.	Compression Load (per piece)	
GL-200P	147 N	15 kg



With bracket



Without bracket



GL-200P-BT Bracket

- One-touch installation with the bracket cap

No.	Part Name	Material	Finish/Colour
①	Case Bracket	Stainless Steel (SUS304)	Barrel Polished
②	Shaft of Case Bracket	Stainless Steel (SUS303)	Plain
③	Bracket Cap	POM	Black

Part No.
GL-200P-BT

